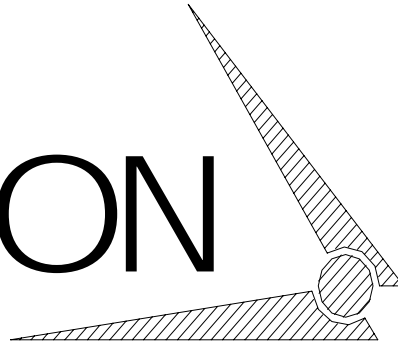


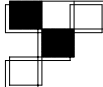
CHAMPION

Hoist and Equipment

Dunn, North Carolina, U.S.A.

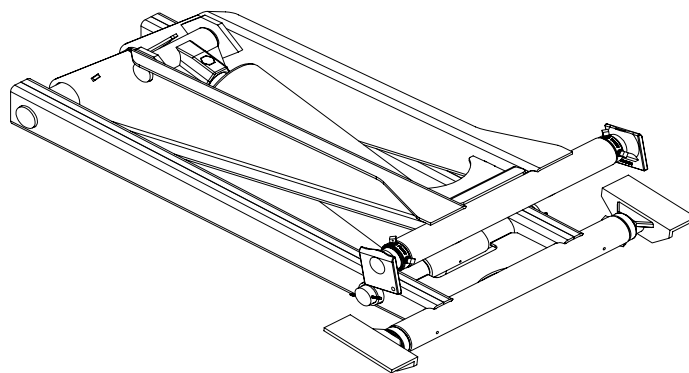


AN AFFILIATE OF

The **Godwin**
 **Group**

200 CHAMPION DRIVE
DUNN, N.C. 28334
(910) 897-4995 FAX: (910) 897-7306

TRAILER CONVERSION HOIST





WARRANTY

Champion Hoist and Equipment warrants these products for a period of 36 months from the date of sale to the customer.

This warranty provides that the equipment shall be free of defective materials and workmanship, or we will replace or repair at our factory, any part that our inspection shows to be defective.

The hydraulic valve, pump, motor, hoses, and other purchased products are not manufactured or warranted by Champion Hoist and Equipment and are therefore covered by the warranties of the manufacturer of these products.

Any part shipped to the factory shall be prepaid, and will be returned collect. Champion Hoist and Equipment does not assume responsibility for shipping, labor or travel expenses.

CHAMPION HOIST & EQUIPMENT
200 Champion Drive
Dunn, NC 28334
800-649-4995
5/27/2009

CHAMPION TRAILER CONVERSION HOIST TABLE OF CONTENTS

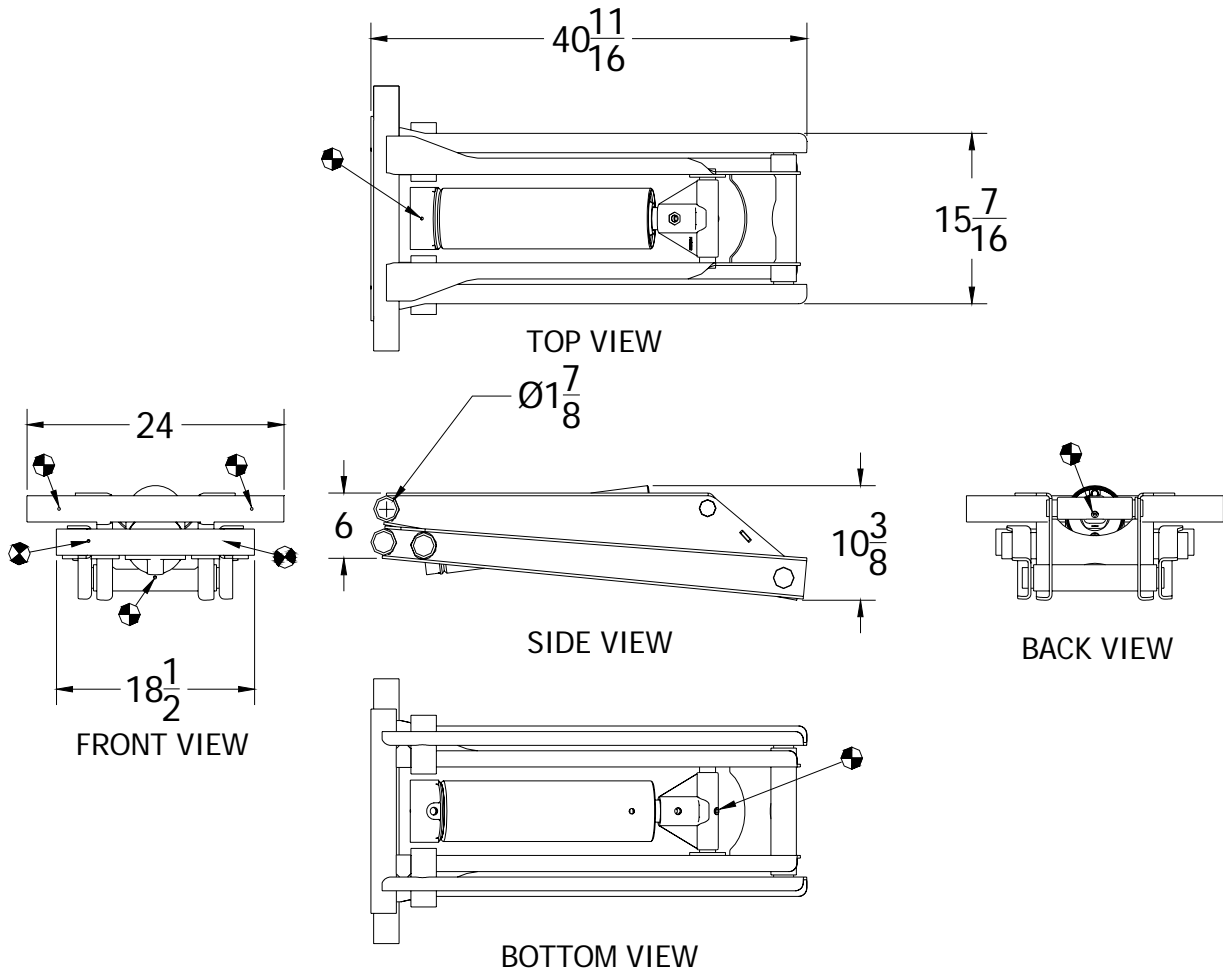
PAGE 5	HOIST RATING CHART
PAGE 6-19	HOIST DIMENSIONS AND ASSEMBLIES
PAGE 20	SAFTY PROP AND REAR HINGE HARDWARE

Champion Hoist and Equipment

Trailer Conversion Hoist rating Summary 3200 psi

NTEA	Body Length (feet)	10		12		13.5		14		15		16	
		0	18	0	18	0	18	0	18	0	18	0	18
CLASS	Overhang (inches)	0	18	0	18	0	18	0	18	0	18	0	18
B	CS 415 T	4.2	6.0	3.5	4.7								
C	CS 515 T	6.6	9.5	5.5	7.3								
D	CS 615 T	9.5	13.6	7.9	10.6								
C	CS 520 T			7.1	9.5	6.3	8.1	6.1	7.7				
D	CS 620 T			10.2	13.7	9.1	11.7	8.8	11.2				
E	CS 5520 T							12.2	15.5	11.4	14.2	10.7	13.1
G	CS 6620 T							17.6	22.4	16.4	20.5	15.4	18.9

CS415T



⊕ - GREASE FITTING LOCATIONS

"G" DIMENSION	
40° TILT	84 inches
45° TILT	74 inches

Trailer bed lengths -10 - 12 feet

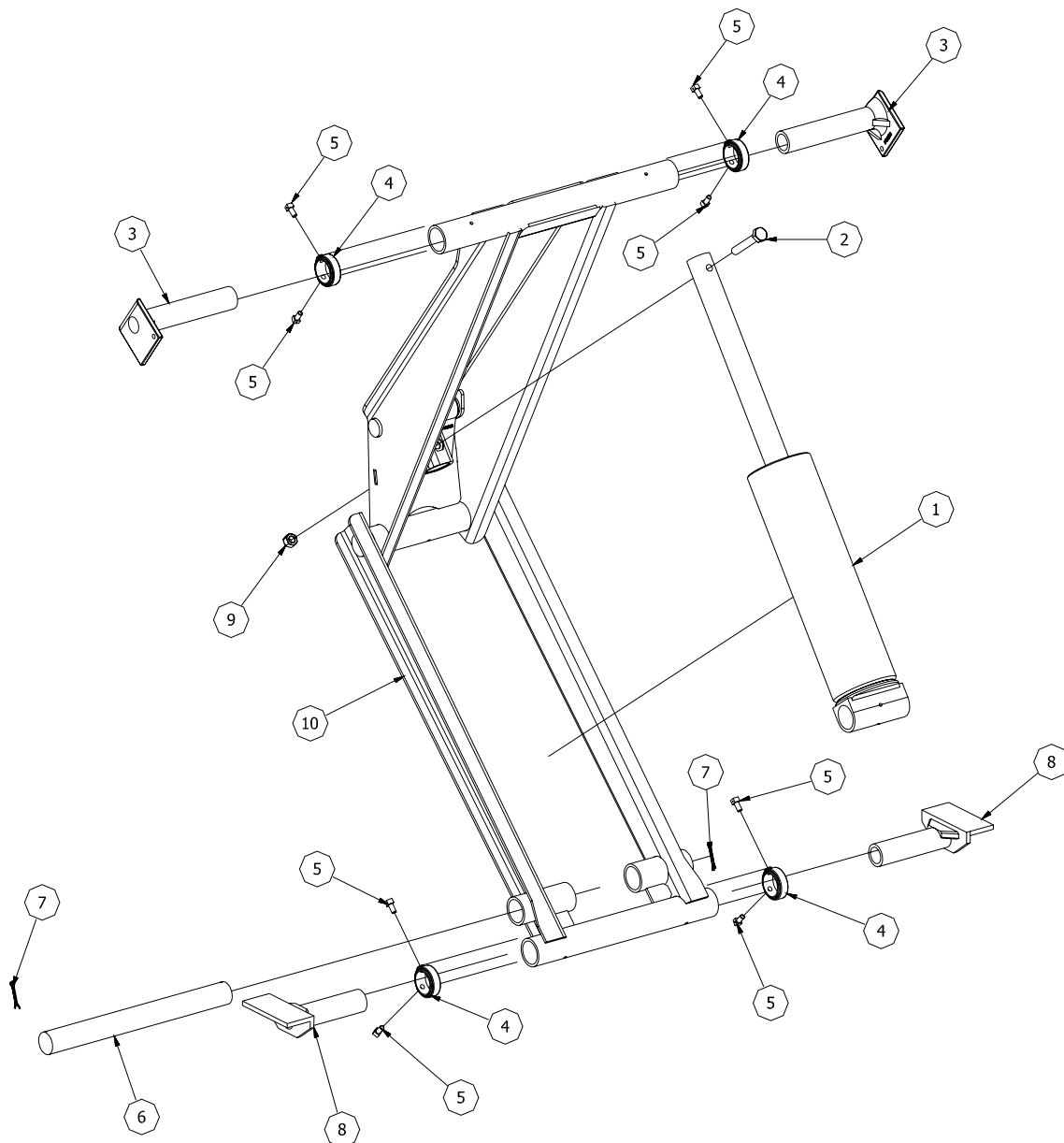
Hoist	System Pressure PSI	Capacity (TONS) - Trailer Length (FT) - 18 inches Overhang	
		10	12
CS 415T	3,200	6.0	4.7

CHAMPION

Hoist and Equipment
Dunn, North Carolina, U.S.A.

910 - 897 - 4995

Fax 910 - 897 - 6822



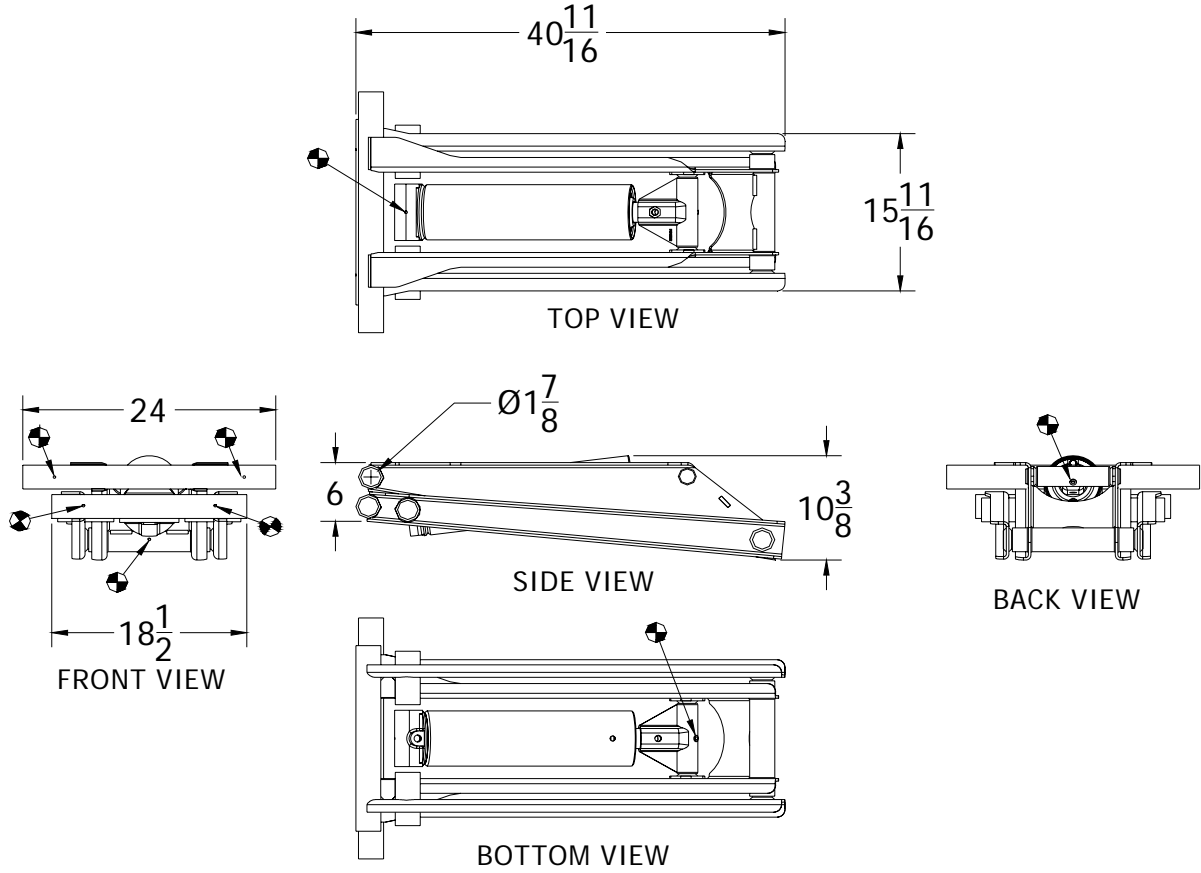
PARTS LIST			
ITEM	QTY	PART NUMBER	DESCRIPTION
1	1	415CYLINDER	415 CYLINDER
2	1	102-617-L	HEX BOLT, 5/8-11 UNC X 4, GR L9
3	2	PC10471	UPPER MOUNTING BRACKET
4	4	PC12161	COLLAR, LIFT ARM 1-7/8"
5	8	P34	SET SCREW 3/8"-16 x 3/4" SQHD
6	1	SM12016	SHAFT, BTM CYLINDER MT. - AGS515
7	2	125-257	Pin - Cotter
8	2	M12290	LOWER MOUNTING BRACKET
9	1	162-10-S	5/8" LOCK NUT
10	1	W12334	CS 415T, 515T, & 615T WELDMENT

CS415T HOIST ASSEMBLY



MP50335

CS515T



● - GREASE FITTING LOCATIONS

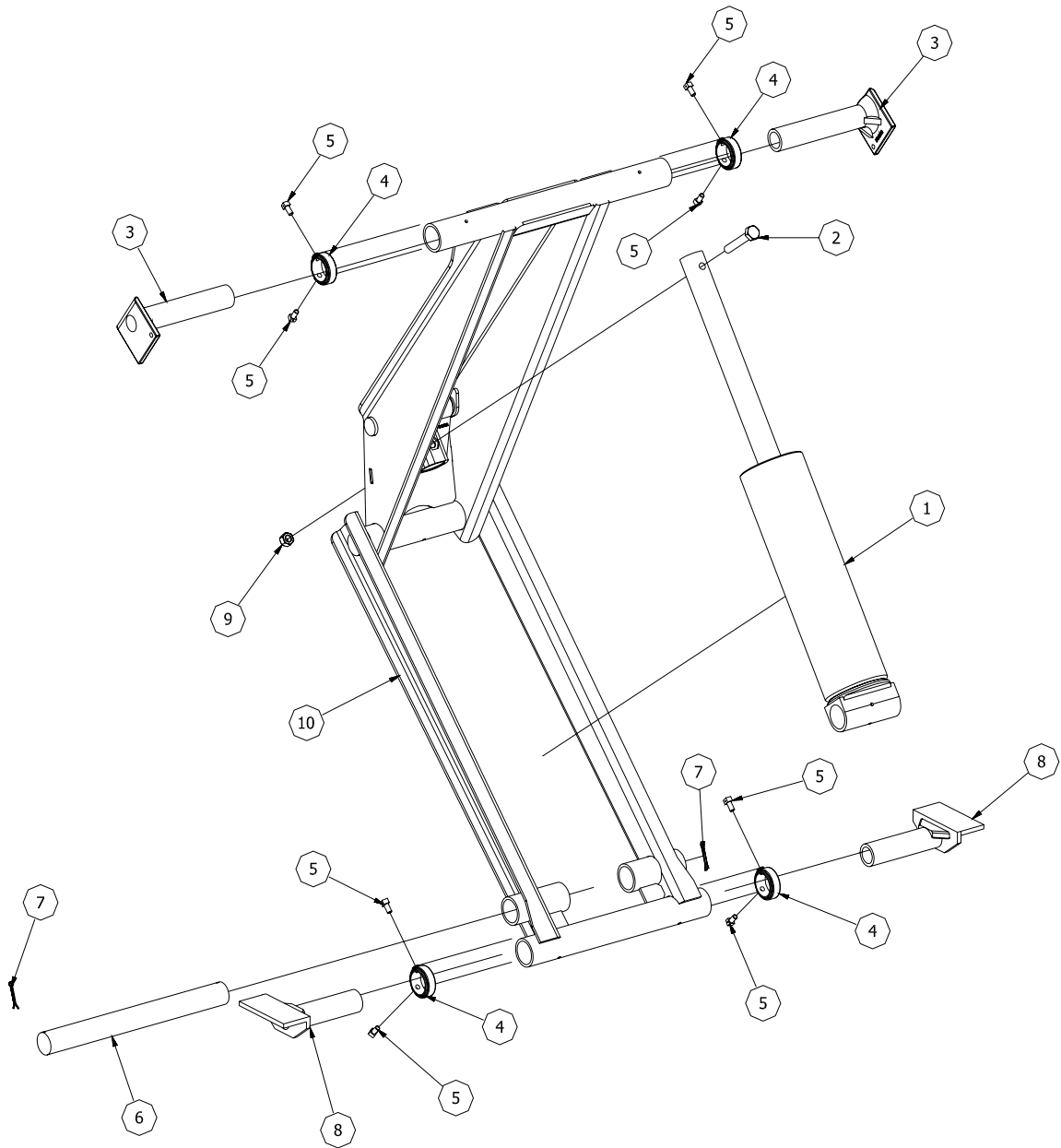
"G" DIMENSION	
40° TILT	84 inches
45° TILT	74 inches

Trailer bed lengths -10 - 12 feet

Hoist	System Pressure PSI	Capacity (TONS) - Trailer Length (FT) - 18 inches Overhang	
		10	12
CS 515T	3,200	9.5	7.3

CHAMPION

Hoist and Equipment
 Dunn, North Carolina, U.S.A.
 910 - 897 - 4995
 Fax 910 - 897 - 6822



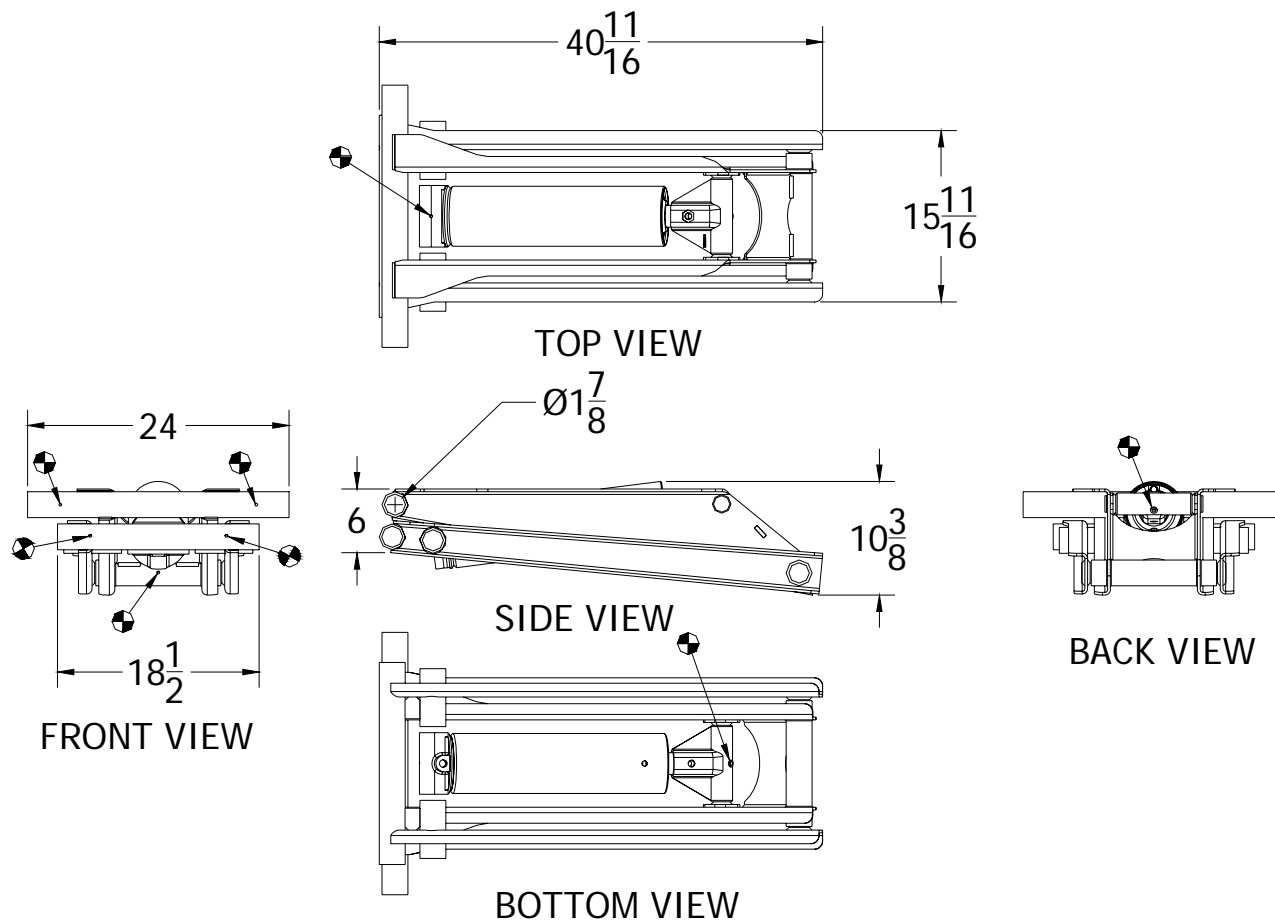
PARTS LIST			
ITEM	QTY	PART NUMBER	DESCRIPTION
1	1	515CYLINDER	515 CYLINDER
2	1	102-617-L	HEX BOLT, 5/8-11 UNC X 4, GR L9
3	2	PC10471	UPPER MOUNTING BRACKET
4	4	PC12161	COLLAR, LIFT ARM 1-7/8"
5	8	P34	SET SCREW 3/8"-16 x 3/4" SQHD
6	1	SM12016	SHAFT, BTM CYLINDER MT. - AGS515
7	2	125-257	Pin - Cotter
8	2	M12290	LOWER MOUNTING BRACKET
9	1	162-10-S	5/8" LOCK NUT
10	1	W12334	CS 415T,515T, & 615T WELDMENT

CS515T HOIST ASSEMBLY



MP50334

CS615T



⊕ - GREASE FITTING LOCATIONS

"G" DIMENSION	
40° TILT	84 inches
45° TILT	74 inches

Trailer bed lengths -10 - 12 feet

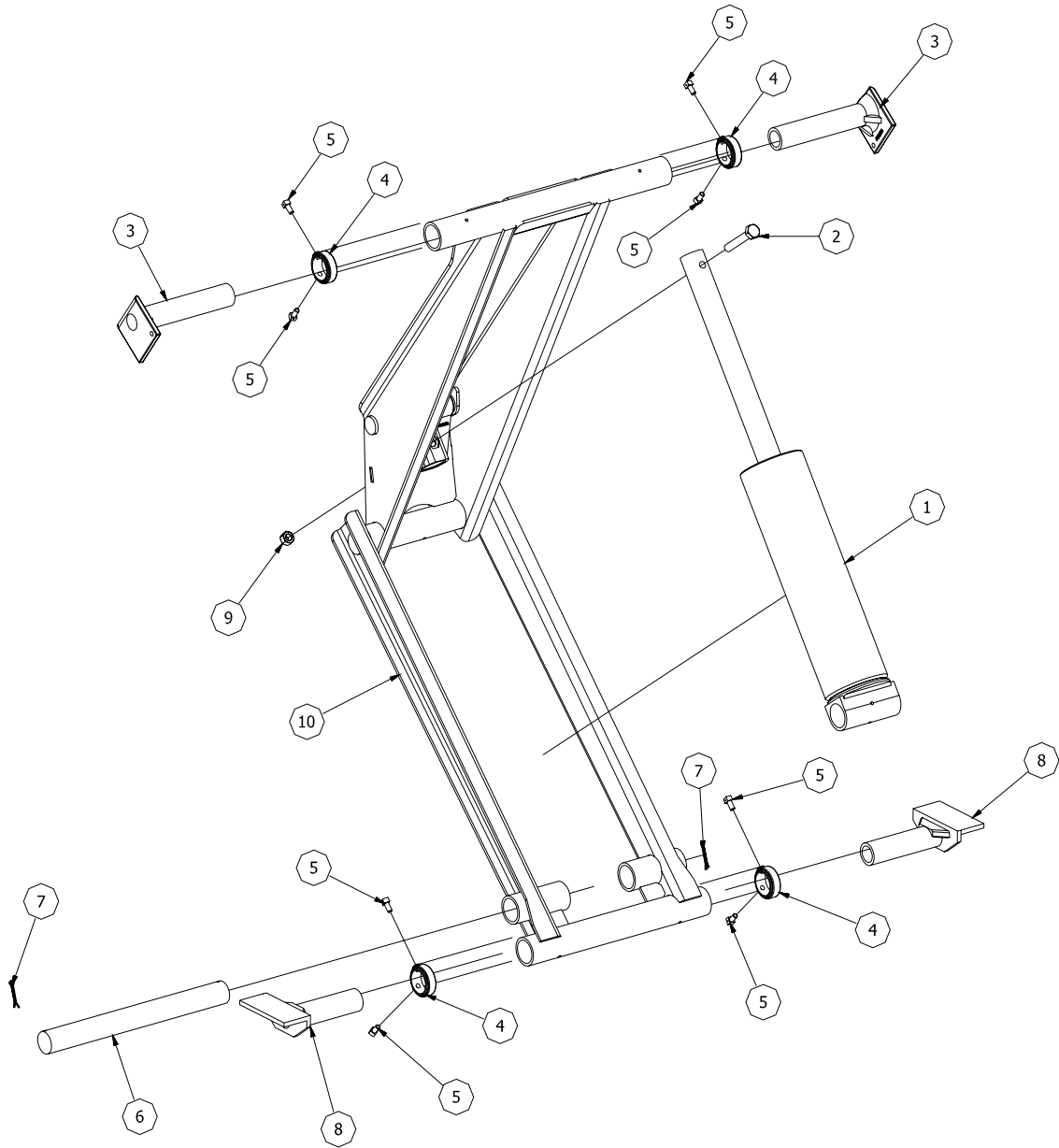
Hoist	System Pressure PSI	Capacity (TONS) - Trailer Length (FT) - 18 inches Overhang	
		10	12
CS 615T	3,200	13.6	10.6

CHAMPION

Hoist and Equipment
Dunn, North Carolin, U.S.A.

910 - 897 - 4995

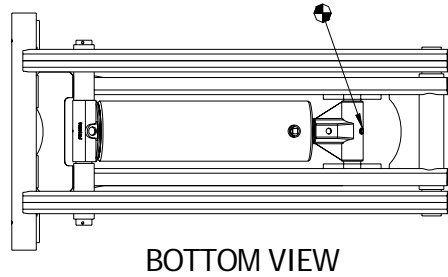
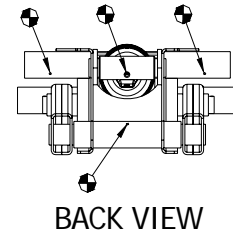
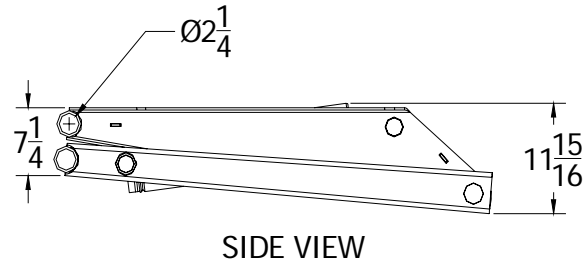
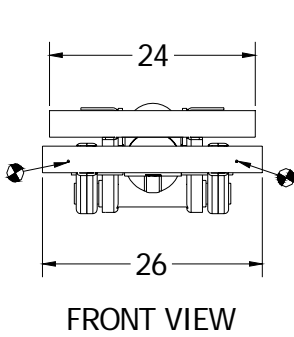
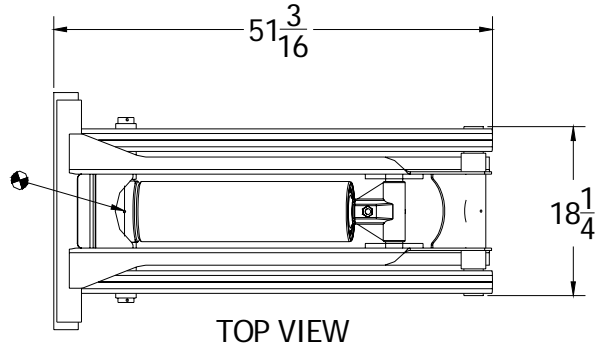
Fax 910 - 897 - 6822



PARTS LIST			
ITEM	QTY	PART NUMBER	DESCRIPTION
1	1	615CYLINDER	615 CYLINDER
2	1	102-617-L	HEX BOLT, 5/8-11 UNC X 4, GR L9
3	2	PC10471	UPPER MOUNTING BRACKET
4	4	PC12161	COLLAR, LIFT ARM 1-7/8"
5	8	P34	SET SCREW 3/8"-16 x 3/4" SQHD
6	1	SM12016	SHAFT, BTM CYLINDER MT. - AGS515
7	2	125-257	Pin - Cotter
8	2	M12290	LOWER MOUNTING BRACKET
9	1	162-10-S	5/8" LOCK NUT
10	1	W12334	CS 415T,515T, & 615T WELDMENT

CS615T HOIST ASSEMBLY

CS520T



● - GREASE FITTING LOCATIONS

"G" DIMENSION	
40° TILT	119 inches
45° TILT	104 inches

Trailer bed lengths -12 - 14 feet

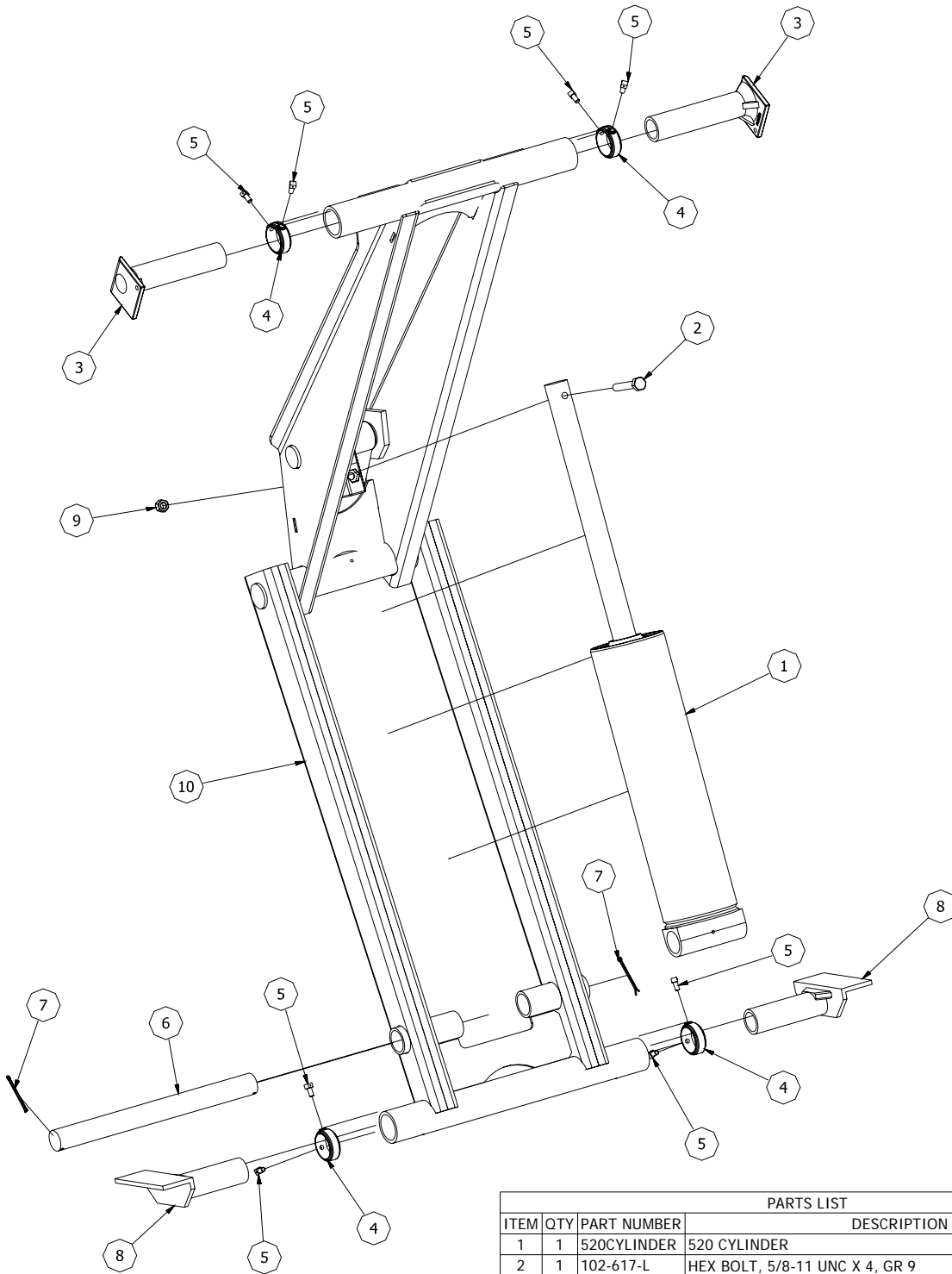
Hoist	System Pressure PSI	Capacity (TONS) - Trailer Length (FT) - 18 inches Overhang	
		12	14
CS 520T	3,200	9.5	7.7

CHAMPION

Hoist and Equipment
Dunn, North Carolina, U.S.A.


910 - 897 - 4995

Fax 910 - 897 - 6822

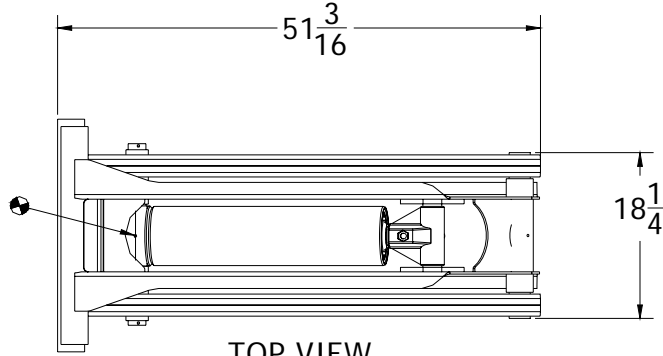


PARTS LIST			
ITEM	QTY	PART NUMBER	DESCRIPTION
1	1	520CYLINDER	520 CYLINDER
2	1	102-617-L	HEX BOLT, 5/8-11 UNC X 4, GR 9
3	2	PC10470	LIFT ARM 2-1/4"
4	4	PC12157	SET COLLOR FOR UPPER LIFT ARM 2-1/4"
5	8	P34	SET SCREW 3/8"-16 x 3/4" SQHD
6	1	SM12304	SHAFT, CYLINDER ENDCAP, CS 520T
7	2	125-257	PIN- COTTER
8	2	M12345	LOWER LIFT ARM MODIFICATION, TRAILER HOIST, 2 1/4"
9	1	162-10-S	5/8" LOCK NUT
10	1	W12335	CS 520T, & 620T WELDMENT

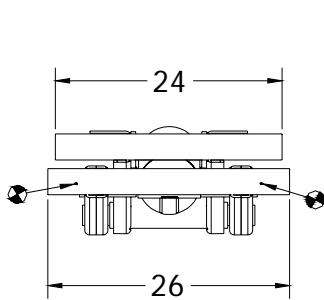
CS520T HOIST ASSEMBLY

 <p style="font-size: small;">CHAMPION Hoist and Equipment Dunn, North Carolina, U.S.A.</p>	MP50354
--	---------

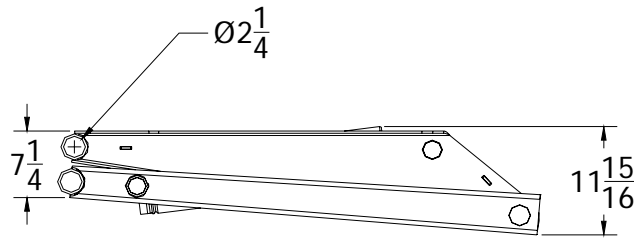
CS620T



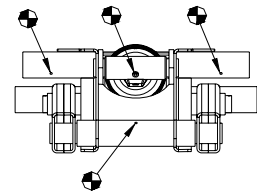
TOP VIEW



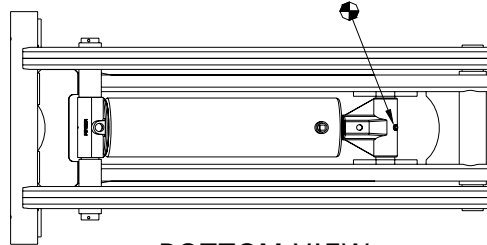
FRONT VIEW



SIDE VIEW



BACK VIEW



BOTTOM VIEW

☛ - GREASE FITTING LOCATIONS

"G" DIMENSION

40° TILT 119 inches

45° TILT 104 inches

Trailer bed lengths -12 - 14 feet

Hoist	System Pressure PSI	Capacity (TONS) - Trailer Length (FT) - 18 inches Overhang	
		12	14
CS 620T	3,200	13.7	11.2

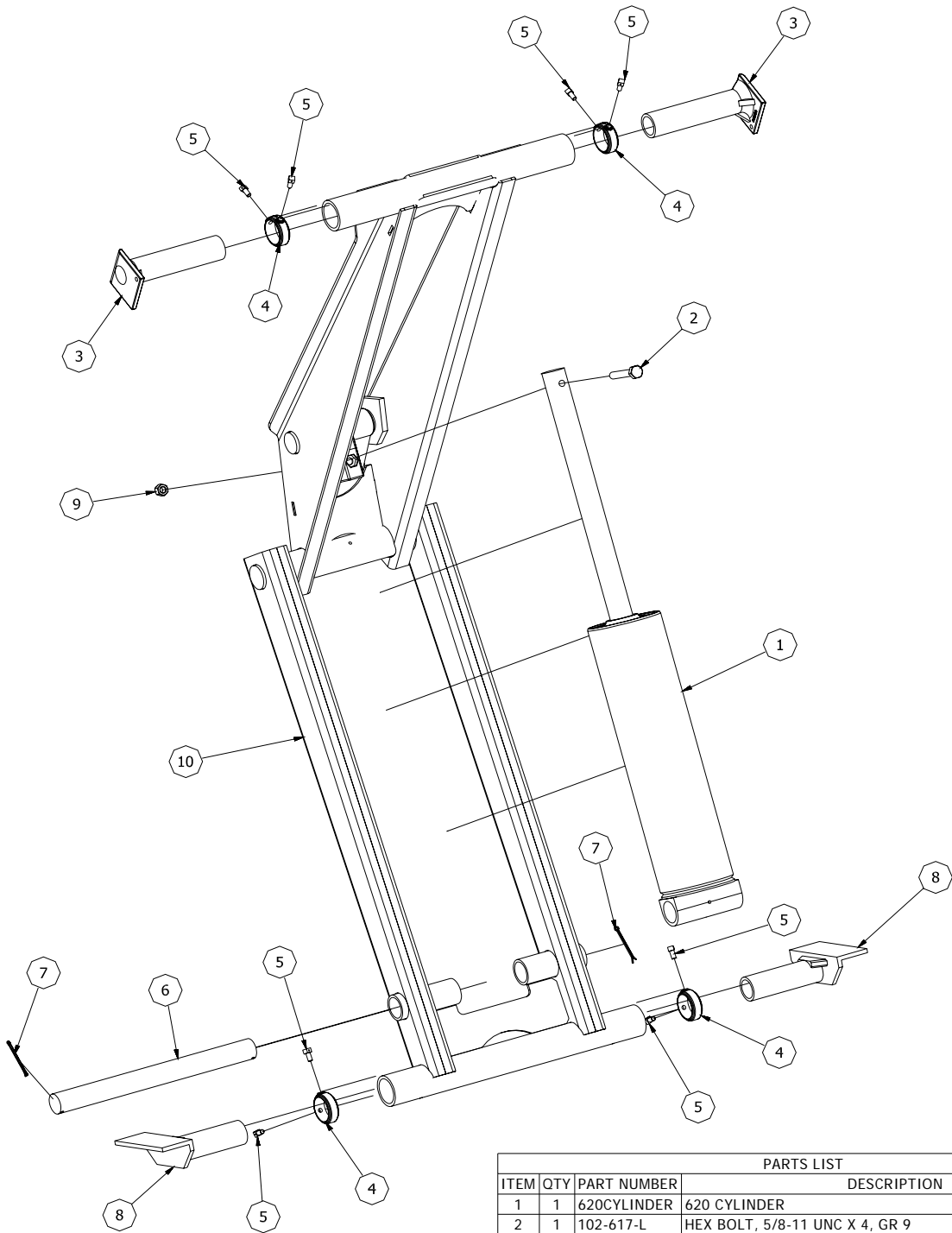
CHAMPION

Hoist and Equipment

Dunn, North Carolin, U.S.A.

910 - 897 - 4995

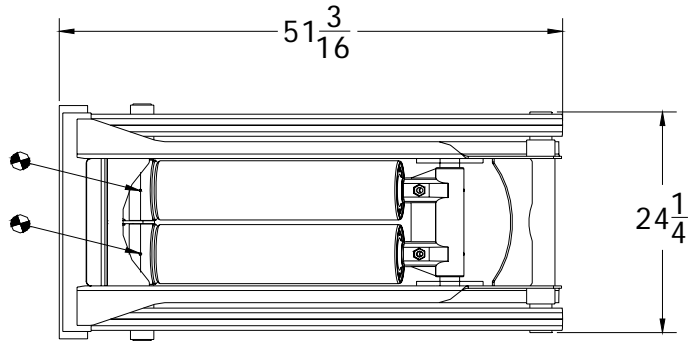
Fax 910 - 897 - 6822



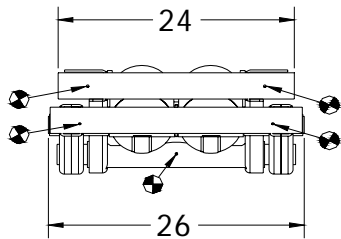
PARTS LIST			
ITEM	QTY	PART NUMBER	DESCRIPTION
1	1	620CYLINDER	620 CYLINDER
2	1	102-617-L	HEX BOLT, 5/8-11 UNC X 4, GR 9
3	2	PC10470	LIFT ARM 2-1/4"
4	4	PC12157	SET COLLOR FOR UPPER LIFT ARM 2-1/4"
5	8	P34	SET SCREW 3/8"-16 x 3/4" SQHD
6	1	SM12304	SHAFT, CYLINDER ENDCAP, CS 520T
7	2	125-257	PIN- COTTER
8	2	M12345	LOWER LIFT ARM MODIFICATION, TRAILER HOIST, 2 1/4"
9	1	162-10-S	5/8" LOCK NUT
10	1	W12335	CS 520T, & 620T WELDMENT

CS620T HOIST ASSEMBLY

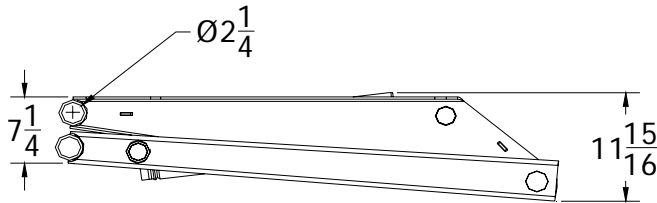
CS5520T



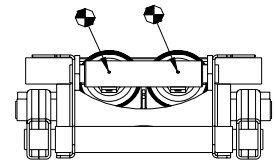
TOP VIEW



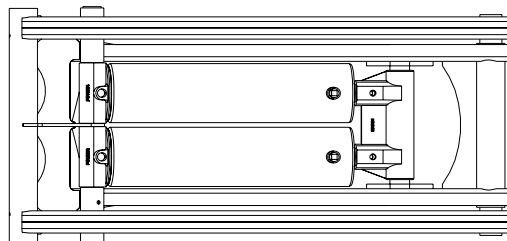
FRONT VIEW



SIDE VIEW



BACK VIEW



BOTTOM VIEW

⊕ - GREASE FITTING LOCATIONS

"G" DIMENSION	
40° TILT	119 inches
45° TILT	104 inches

Trailer bed lengths -14 - 16 feet

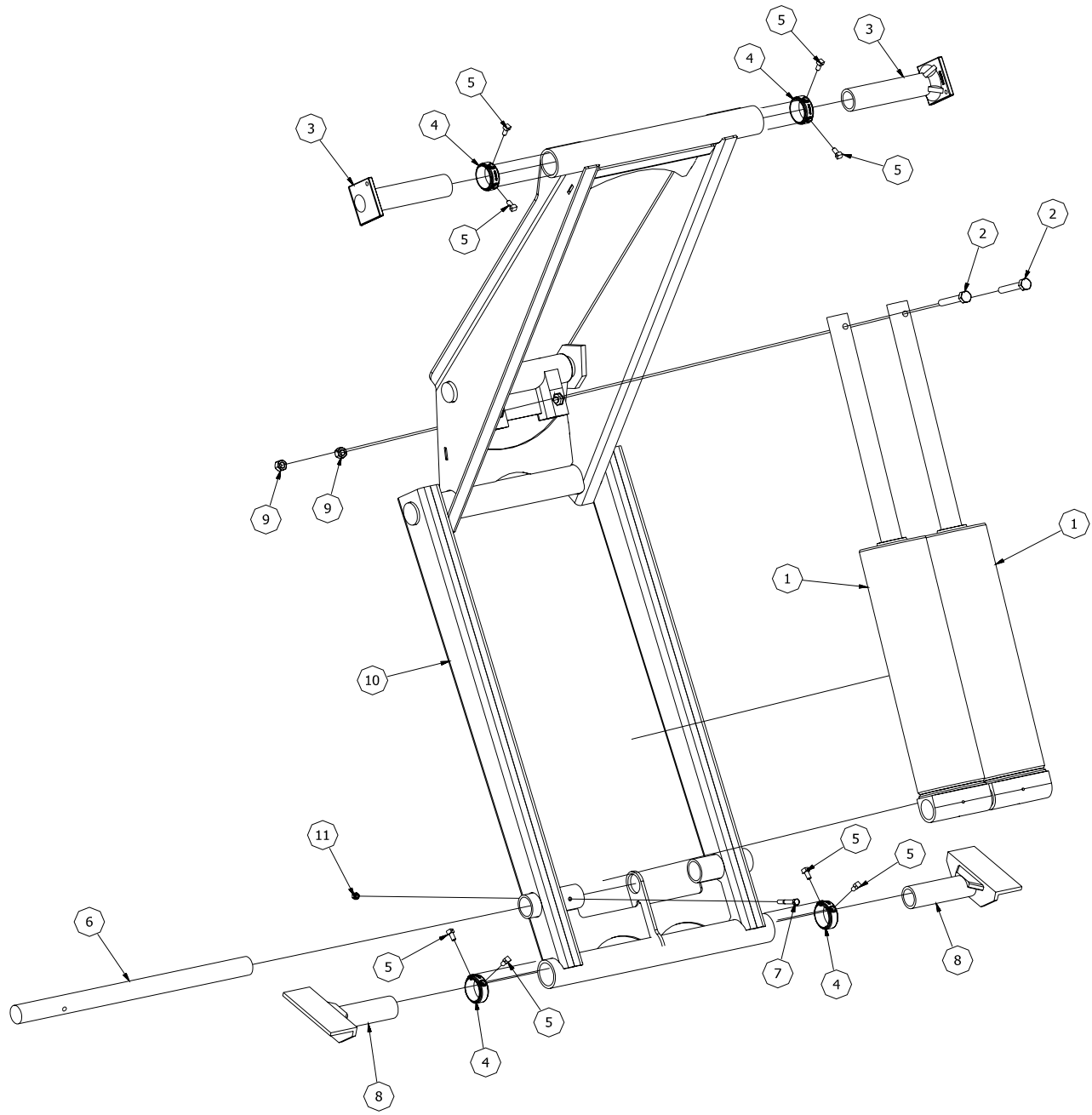
Hoist	System Pressure PSI	Capacity (TONS) - Trailer Length (FT) - 18 inches Overhang	
		14	16
CS 5520T	3,200	15.5	13.1

CHAMPION

Hoist and Equipment
Dunn, North Carolin, U.S.A.

910 - 897 - 4995

Fax 910 - 897 - 6822



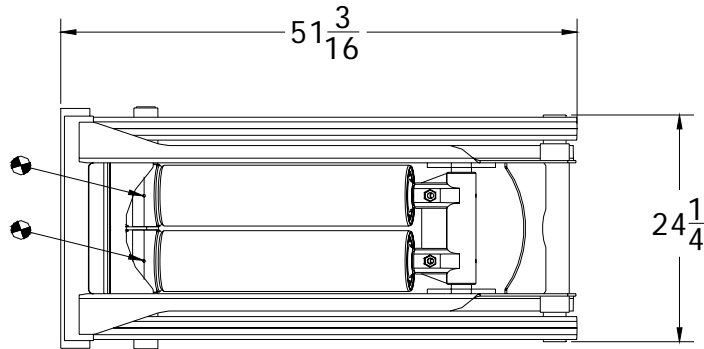
PARTS LIST			
ITEM	QTY	PART NUMBER	DESCRIPTION
1	2	520CYLINDER	520 CYLINDER
2	2	102-617-L	HEX BOLT, 5/8-11 UNC X 4, GR 9
3	2	PC10470	LIFT ARM 2-1/4"
4	4	PC12157	SET COLLOR FOR UPPER LIFT ARM 2-1/4"
5	8	P34	SET SCREW 3/8"-16 x 3/4" SQHD
6	1	SM12058	SHAFT, OUTER CYL. MT.
7	1	102-213-A1	Hex Bolt, 3/8" x 3"
8	2	M12345	LOWER LIFT ARM MODIFICATION, TRAILER HOIST, 2 1/4"
9	2	162-10-S	5/8" LOCK NUT
10	1	W12336	CS 5520T, & 6620T WELDMENT
11	1	162-7-S	LOCK NUT, 3/8"

CS5520T HOIST ASSEMBLY

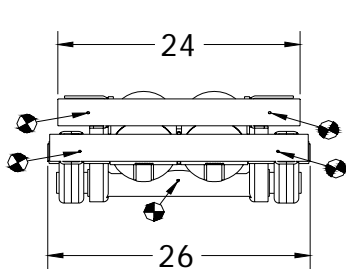


MP50356

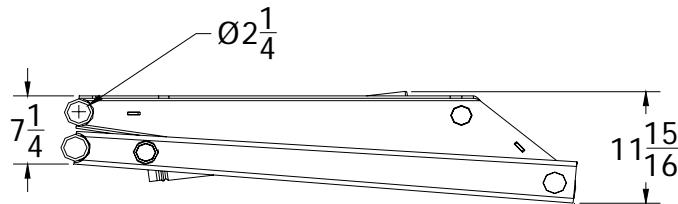
CS6620T



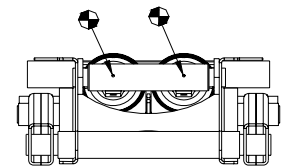
TOP VIEW



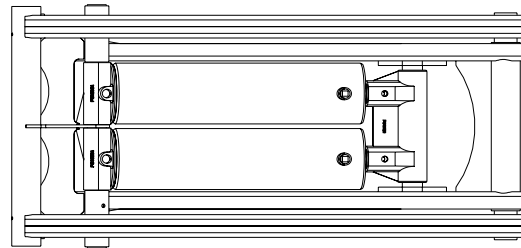
FRONT VIEW



SIDE VIEW



BACK VIEW



BOTTOM VIEW

● - GREASE FITTING LOCATIONS

"G" DIMENSION	
40° TILT	119 inches
45° TILT	104 inches

Trailer bed lengths -14 - 16 feet

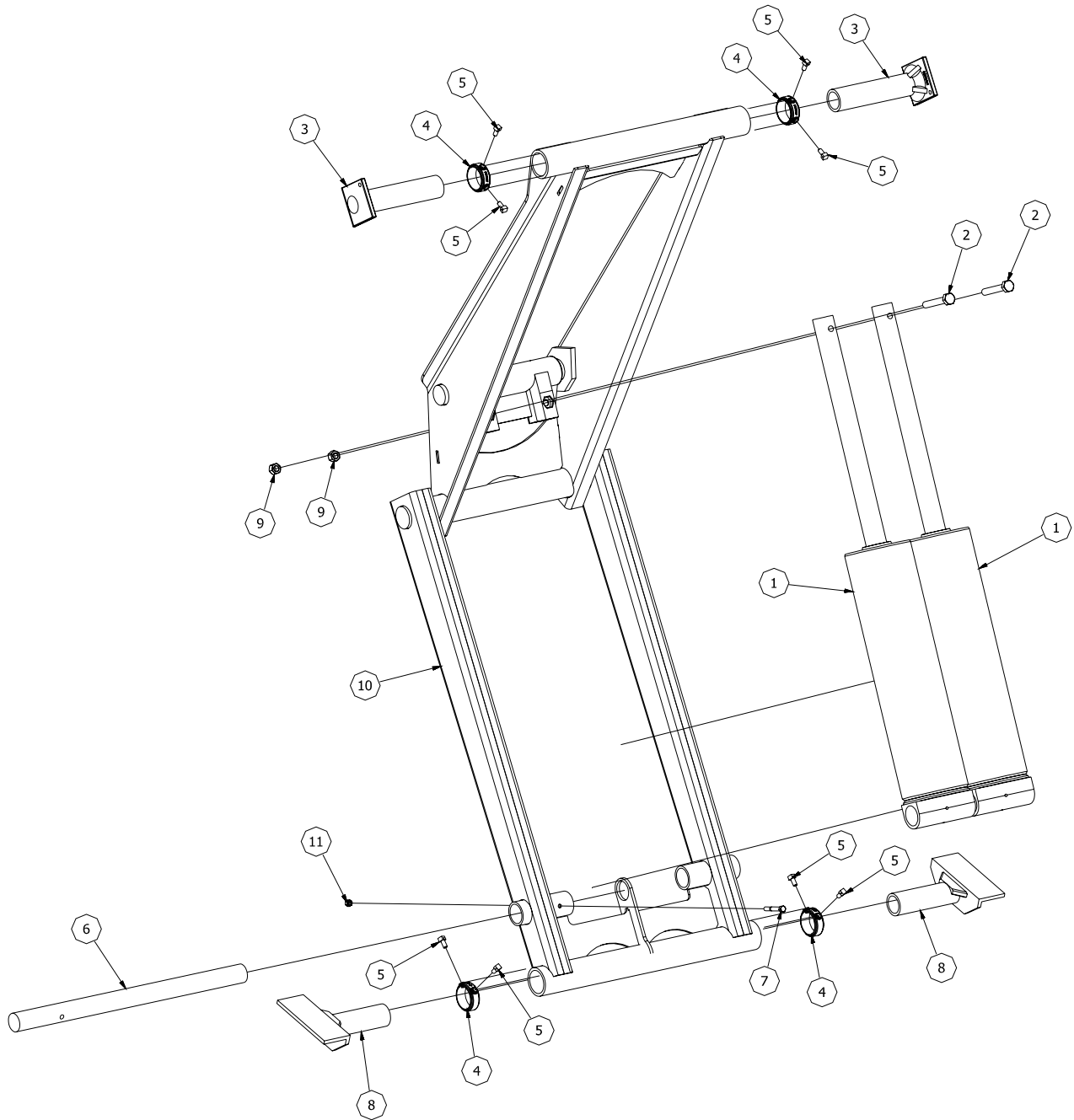
Hoist	System Pressure PSI	Capacity (TONS) - Trailer Length (FT) - 18 inches Overhang	
		14	16
CS 6620T	3,200	22.4	18.9

CHAMPION

Hoist and Equipment
Dunn, North Carolina, U.S.A.

910 - 897 - 4995

Fax 910 - 897 - 6822



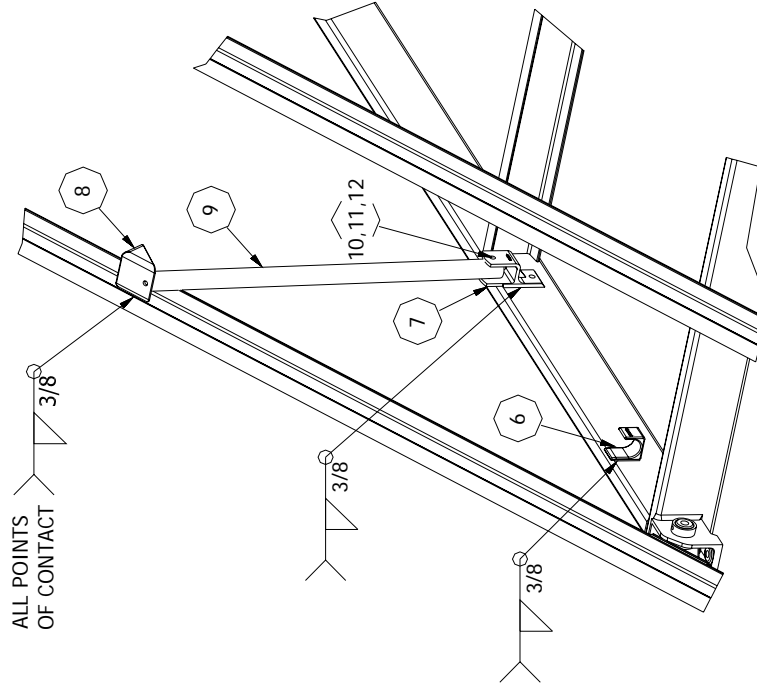
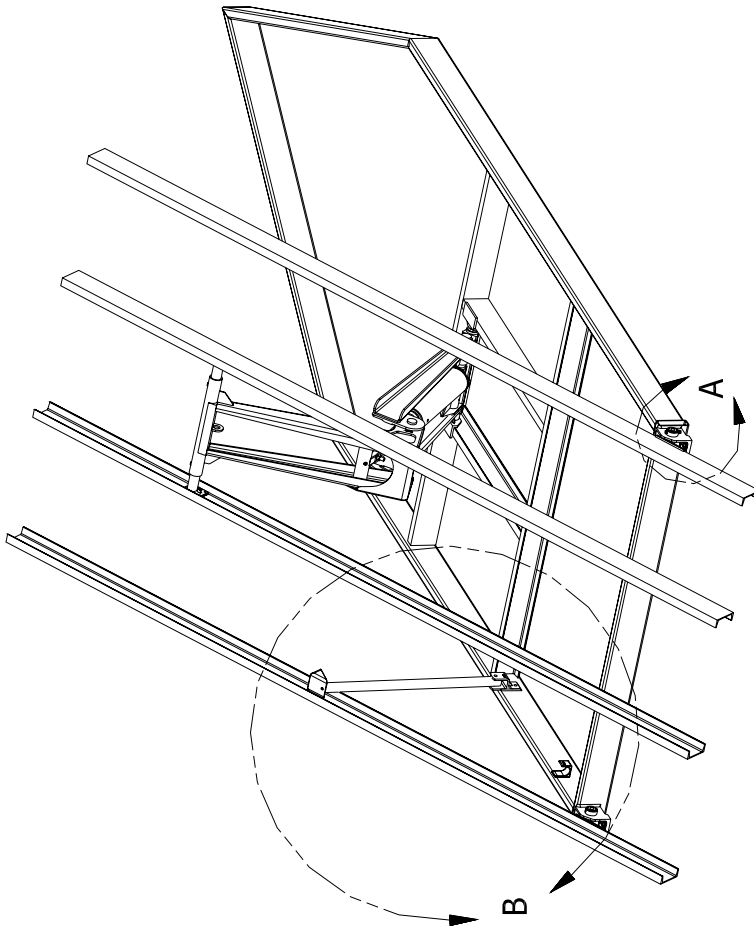
PARTS LIST			
ITEM	QTY	PART NUMBER	DESCRIPTION
1	2	620CYLINDER	620 CYLINDER
2	2	102-617-L	HEX BOLT, 5/8-11 UNC X 4, GR 9
3	2	PC10470	LIFT ARM 2-1/4"
4	4	PC12157	SET COLLOR FOR UPPER LIFT ARM 2-1/4"
5	8	P34	SET SCREW 3/8"-16 x 3/4" SQHD
6	1	SM12058	SHAFT, OUTER CYL. MT.
7	1	102-213-A1	Hex Bolt, 3/8" x 3"
8	2	M12345	LOWER LIFT ARM MODIFICATION, TRAILER HOIST, 2 1/4"
9	2	162-10-S	5/8" LOCK NUT
10	1	W12336	CS 5520T, & 6620T WELDMENT
11	1	162-7-S	LOCK NUT, 3/8"

CS6620T HOIST ASSEMBLY

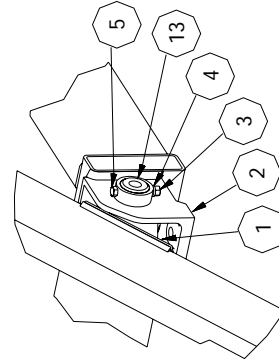


MP50357

SAFETY PROP AND HINGE HARDWARE



DETAIL B
SAFETY PROP KIT
K101020



DETAIL A
HINGE KIT
K101019

HINGE KIT PARTS LIST	
ITEM QTY	PART NUMBER DESCRIPTION
1	2 PC10636 HINGE FLIPPER
2	2 PC10538 HINGE BLOCK
3	2 116-3-A1 3/8" HEX NUT
4	2 118-3-A1 3/8" LOCK WASHER
5	2 102-213-A1 3/8" x 3" GRADE 8 HEX BOLT
SAFETY PROP KIT PARTS LIST	
ITEM QTY	PART NUMBER DESCRIPTION
6	1 PC10468 SAFETY PROP HOOK
7	1 PC21006 SAFETY PROP BRACKET
8	1 PC10415 SAFETY PROP CUP
9	1 PC13033 SAFETY PROP
10	1 102-417-A1 1/2" GRADE 8 HEX BOLT
11	1 118-5-A1 1/2" LOCK WASHER
12	1 116-5-A1 1/2" HEX NUT
13	2 PC10816 HINGE PIN

Notes: